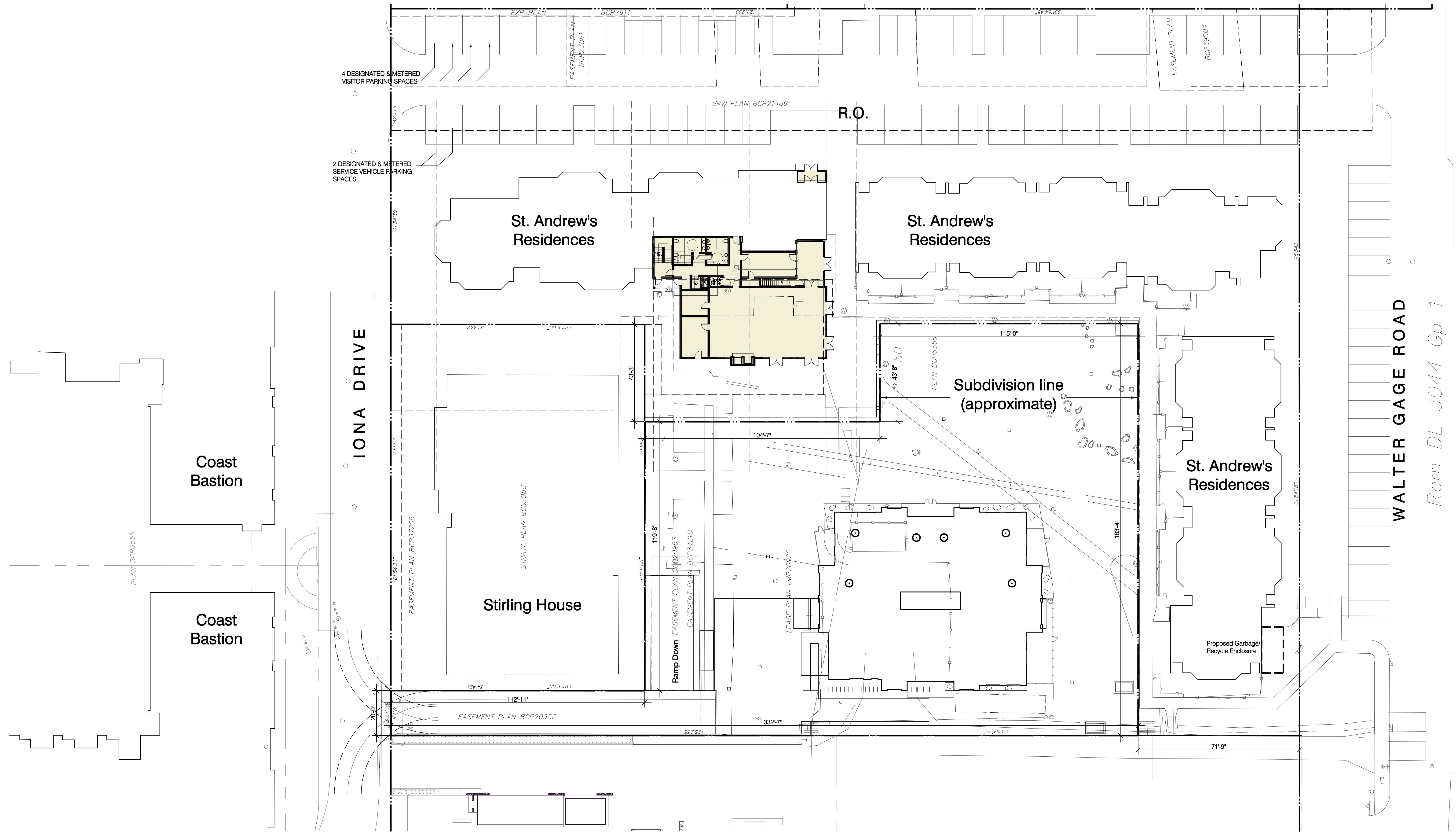


SUBDIVISION PLAN



4 DESIGNATED & METERED VISITOR PARKING SPACES

2 DESIGNATED & METERED SERVICE VEHICLE PARKING SPACES

Coast Bastion

Coast Bastion

St. Andrew's Residences

St. Andrew's Residences

St. Andrew's Residences

Stirling House

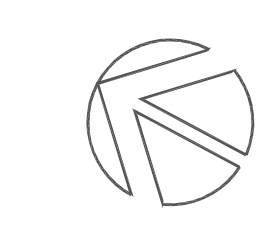
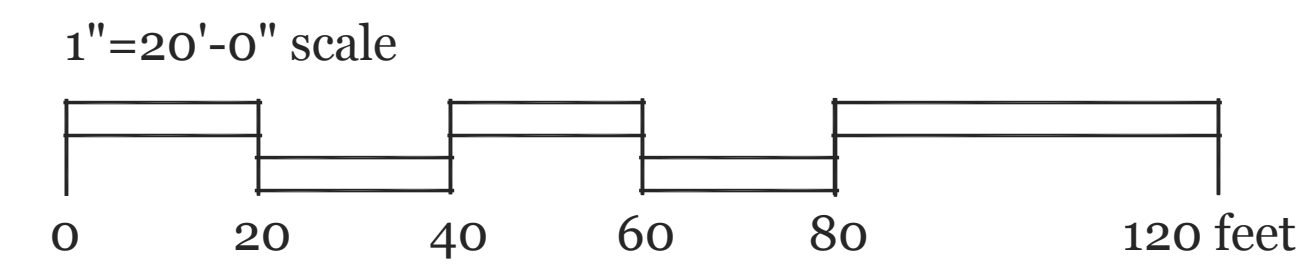
Subdivision line (approximate)

Proposed Garbage/Recycle Enclosure

IONA DRIVE

WALTER GAGE ROAD

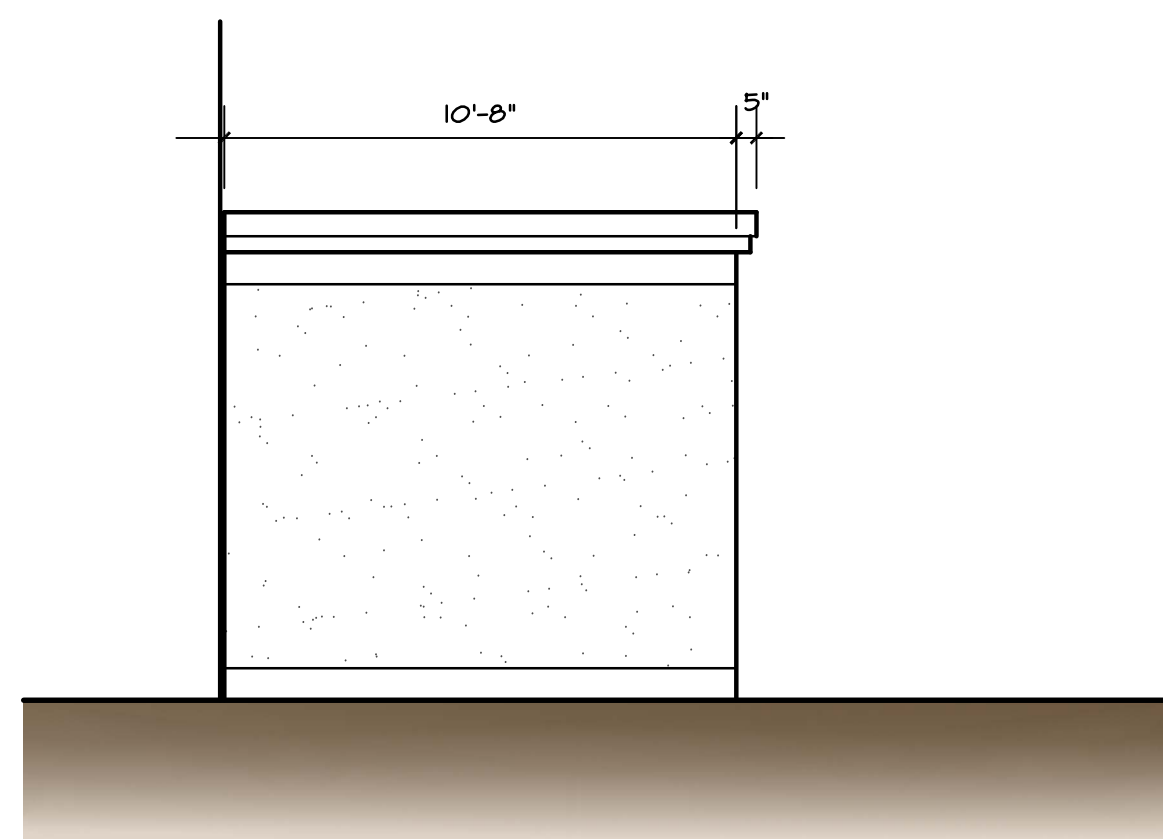
Rem DL 3044 Gp 1



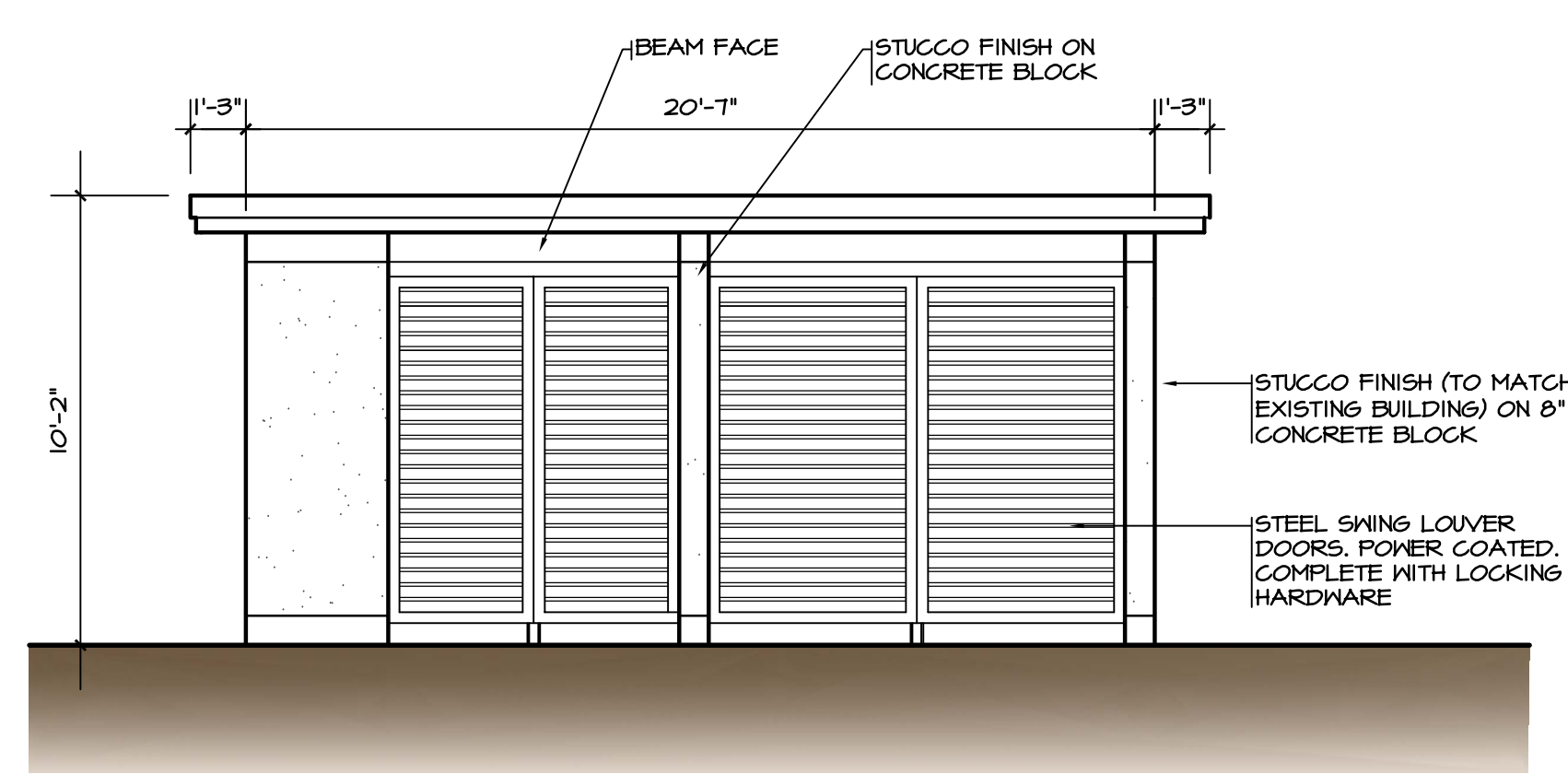
ST. ANDREW'S HALL EXPANSION

GARBAGE ENCLOSURE

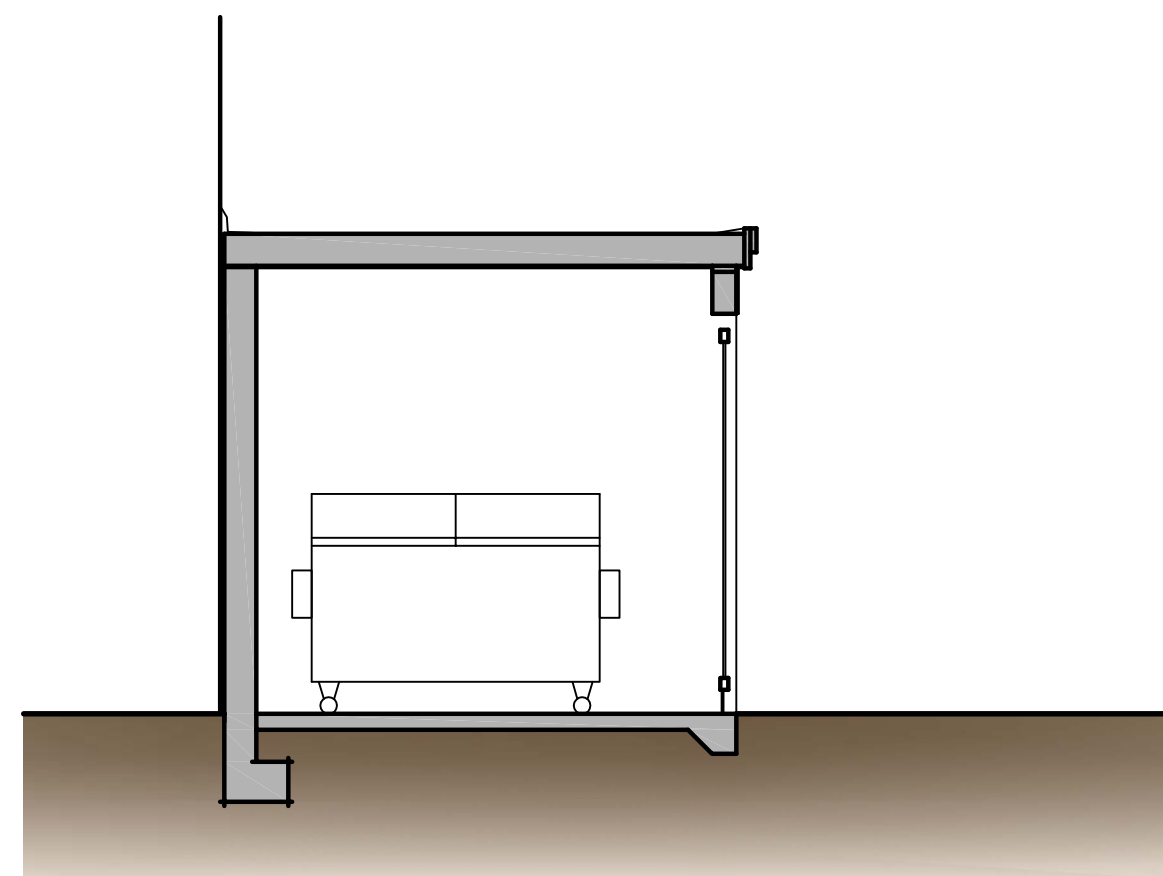
FINAL COMPACTOR CONFIGURATION
TO BE CONFIRMED WITH GARBAGE
COLLECTION CONTRACTOR



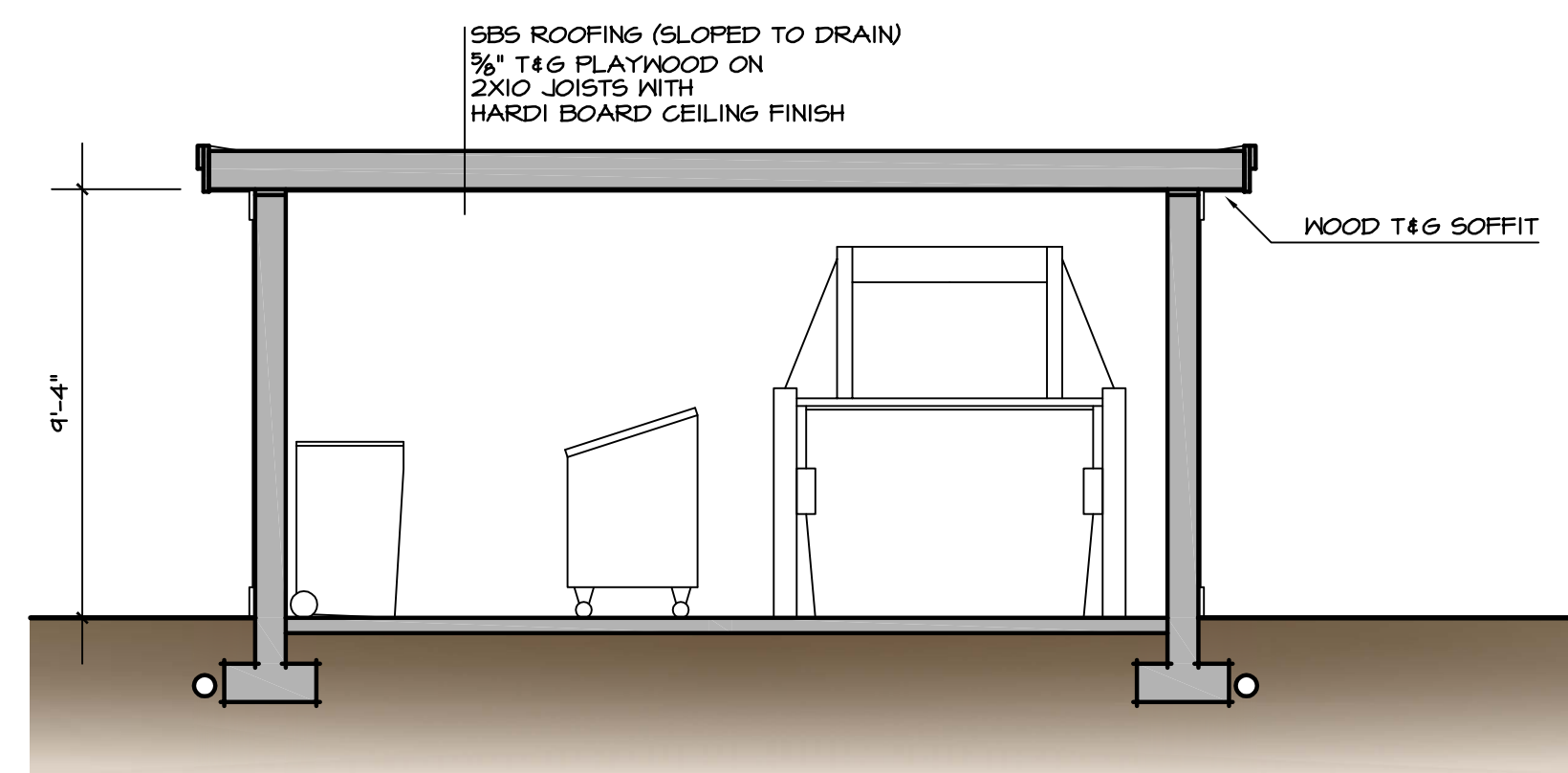
End Elevation



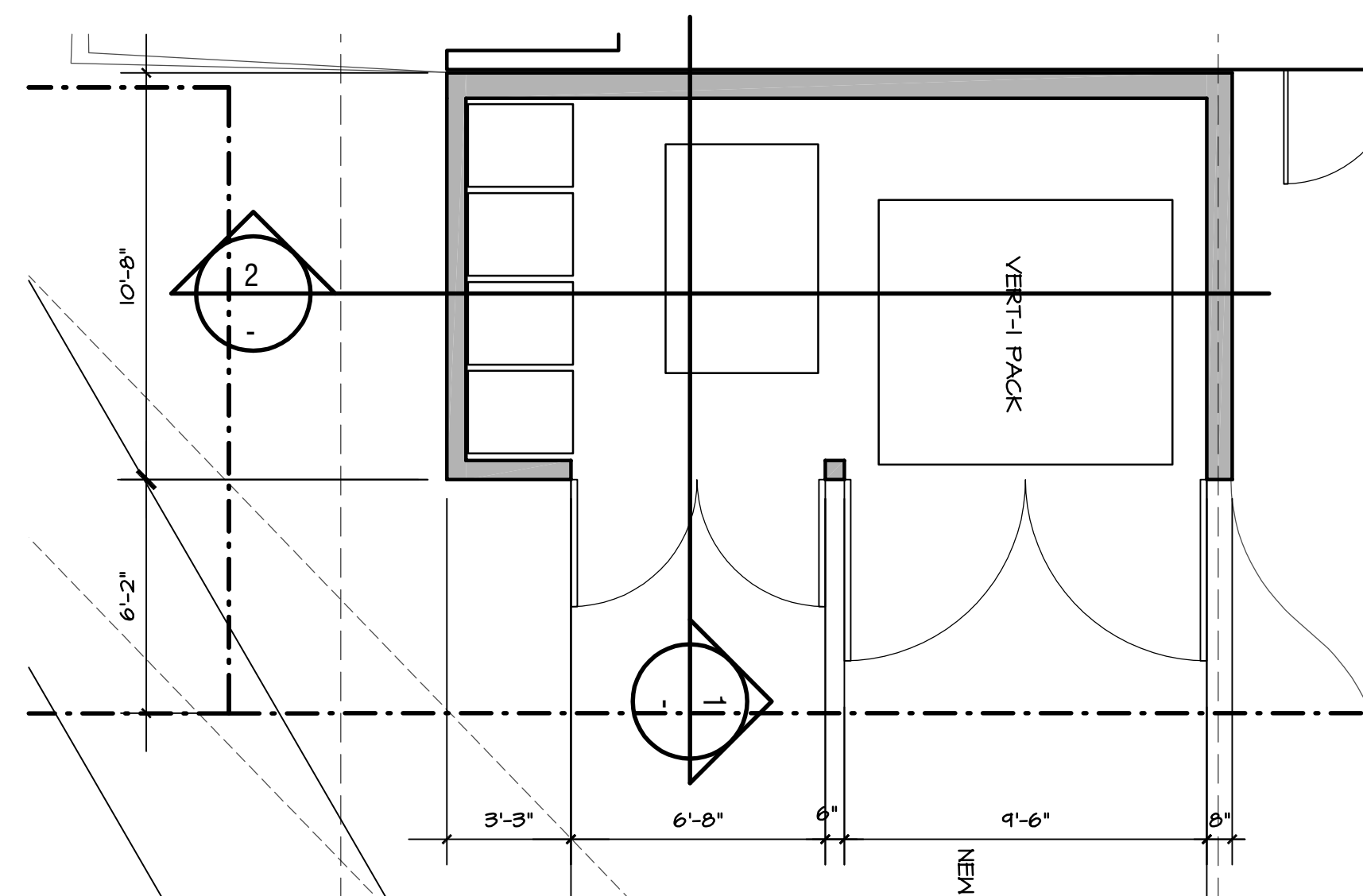
South Elevation



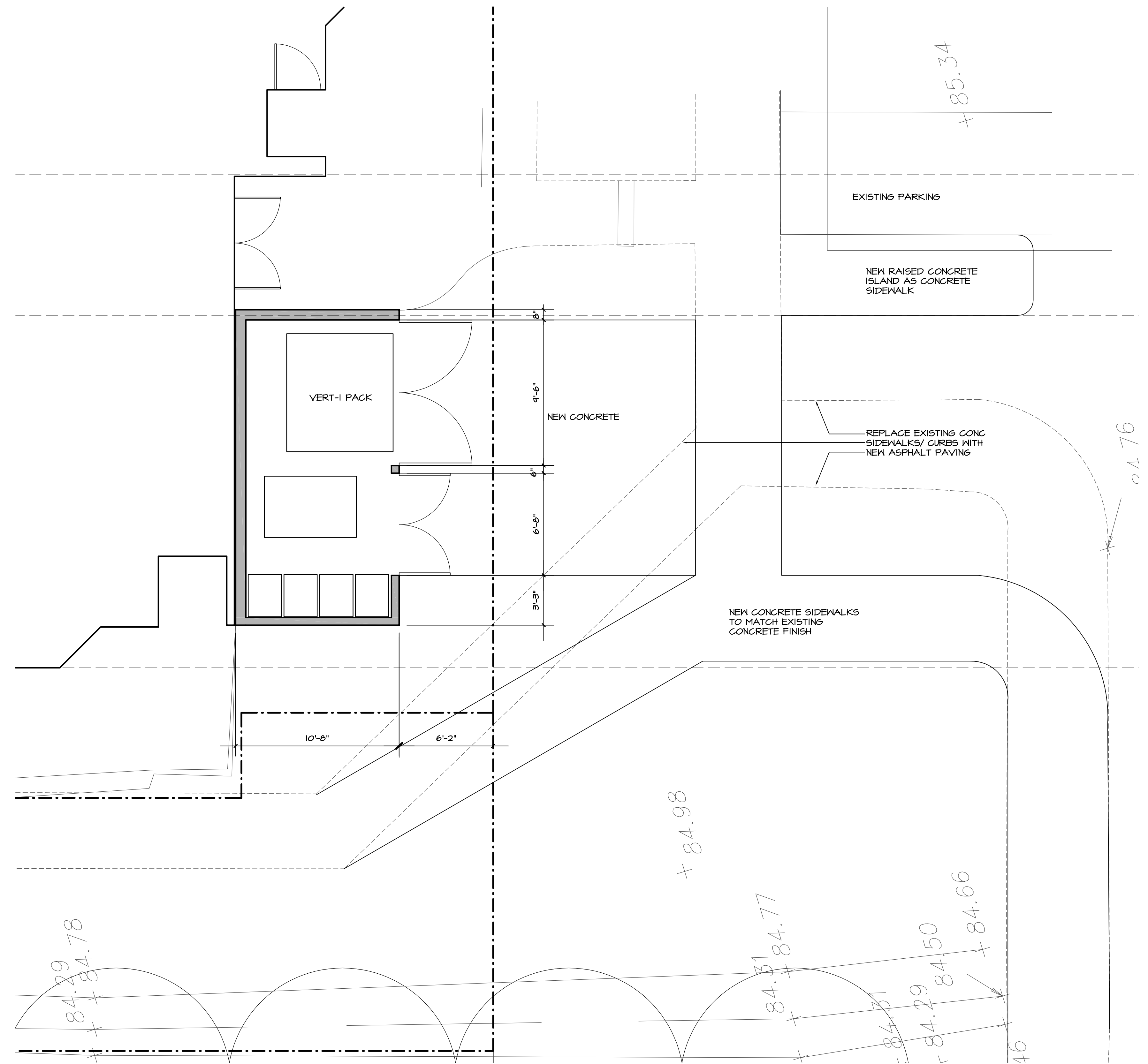
1 North/South Section



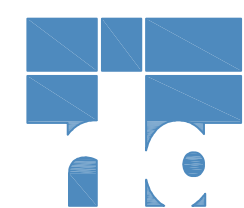
2 East/West Section



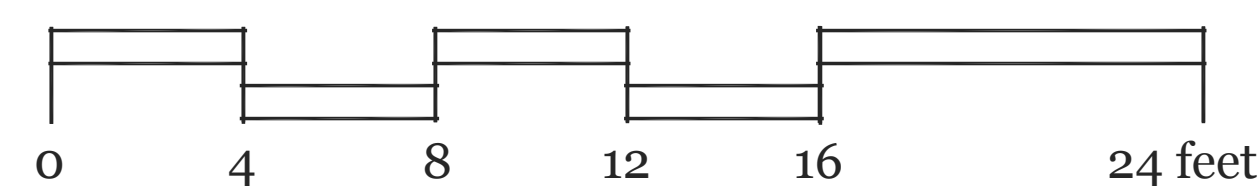
Enclosure Plan



Enclosure Site Plan



1/4" scale



ST. ANDREW'S HALL EXPANSION