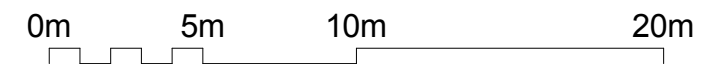
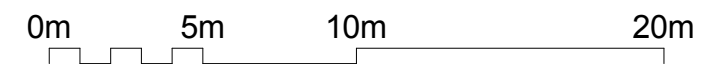
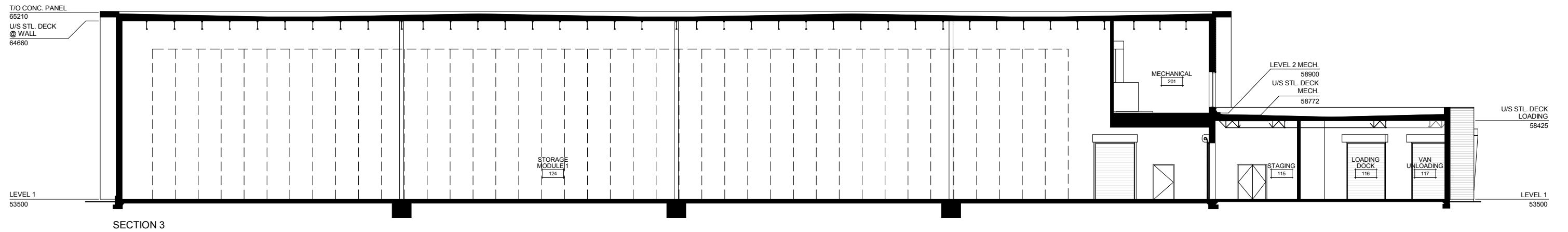
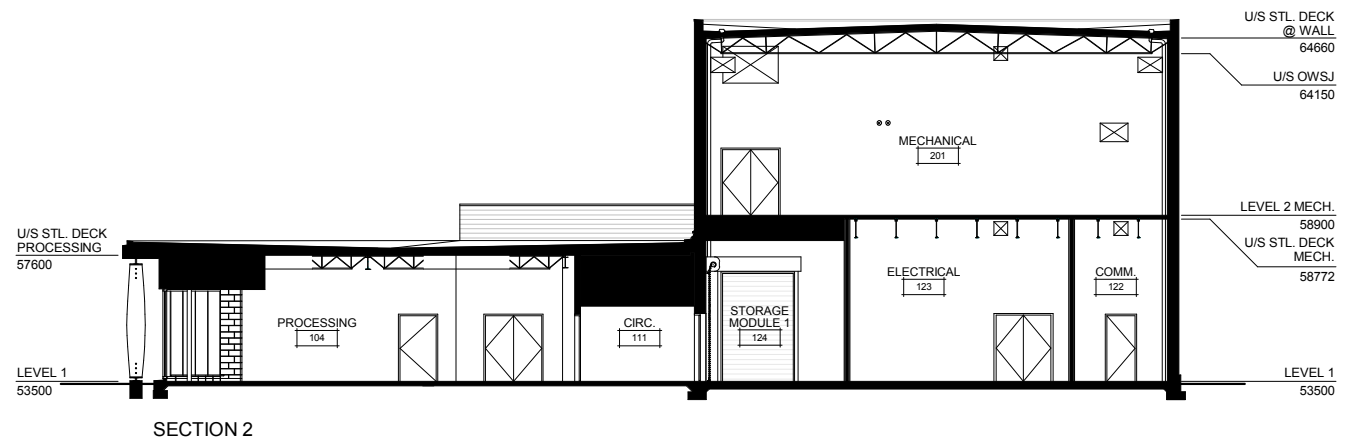
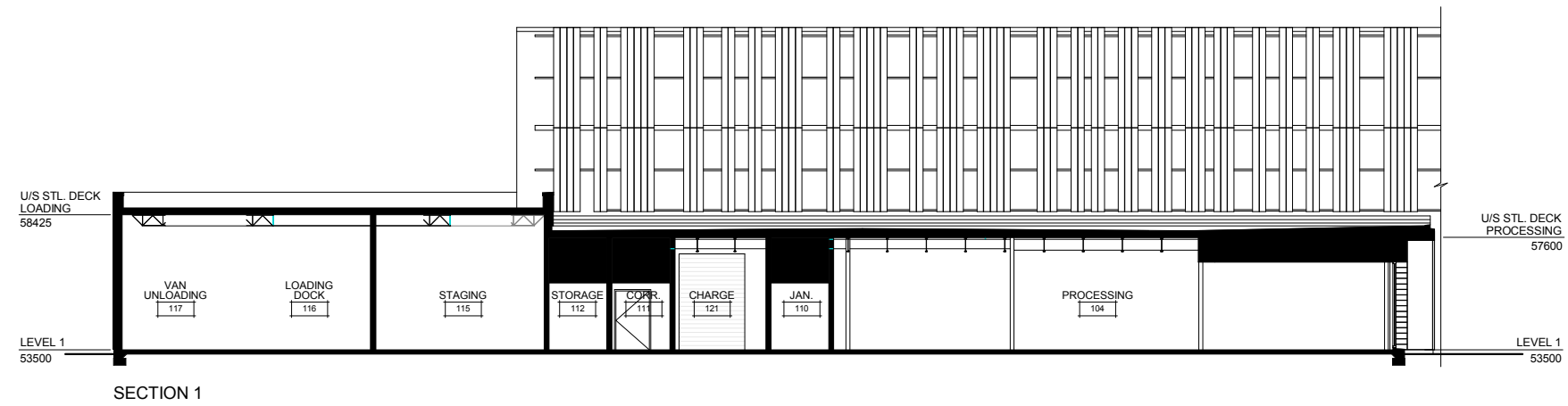


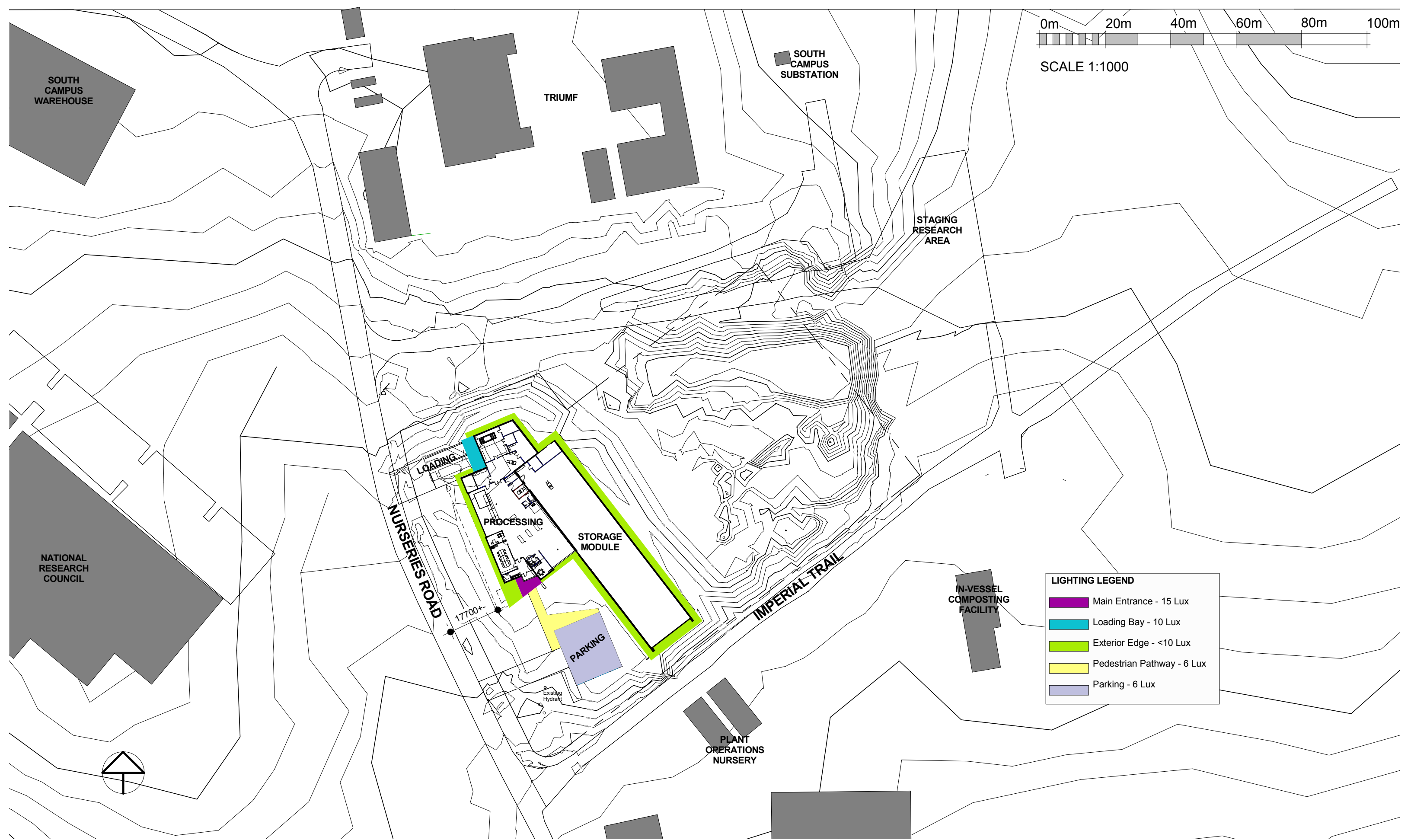
MATERIALS LEGEND	
<b>EXTERIOR FINISHES</b>	
1	HONED CONCRETE MASONRY VENEER BLOCK
2	TILT-UP CONCRETE
3	PARGING
4	HORIZONTAL METAL STRIP PANEL
5	CEMENTITIOUS PANEL
6	WOOD PANEL
7	TORCHED WOOD BOARD
<b>EXTERIOR ITEMS</b>	
1	LOUVER
2	METAL COLUMN
3	GLULAM BEAM
4	GALVANIZED STEEL ANGLE
5	WOOD FIN/COLUMN
6	GALVANIZED PLATE STEEL
7	GLAZING
8	METAL PANEL







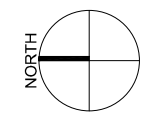
SCALE 1:1000



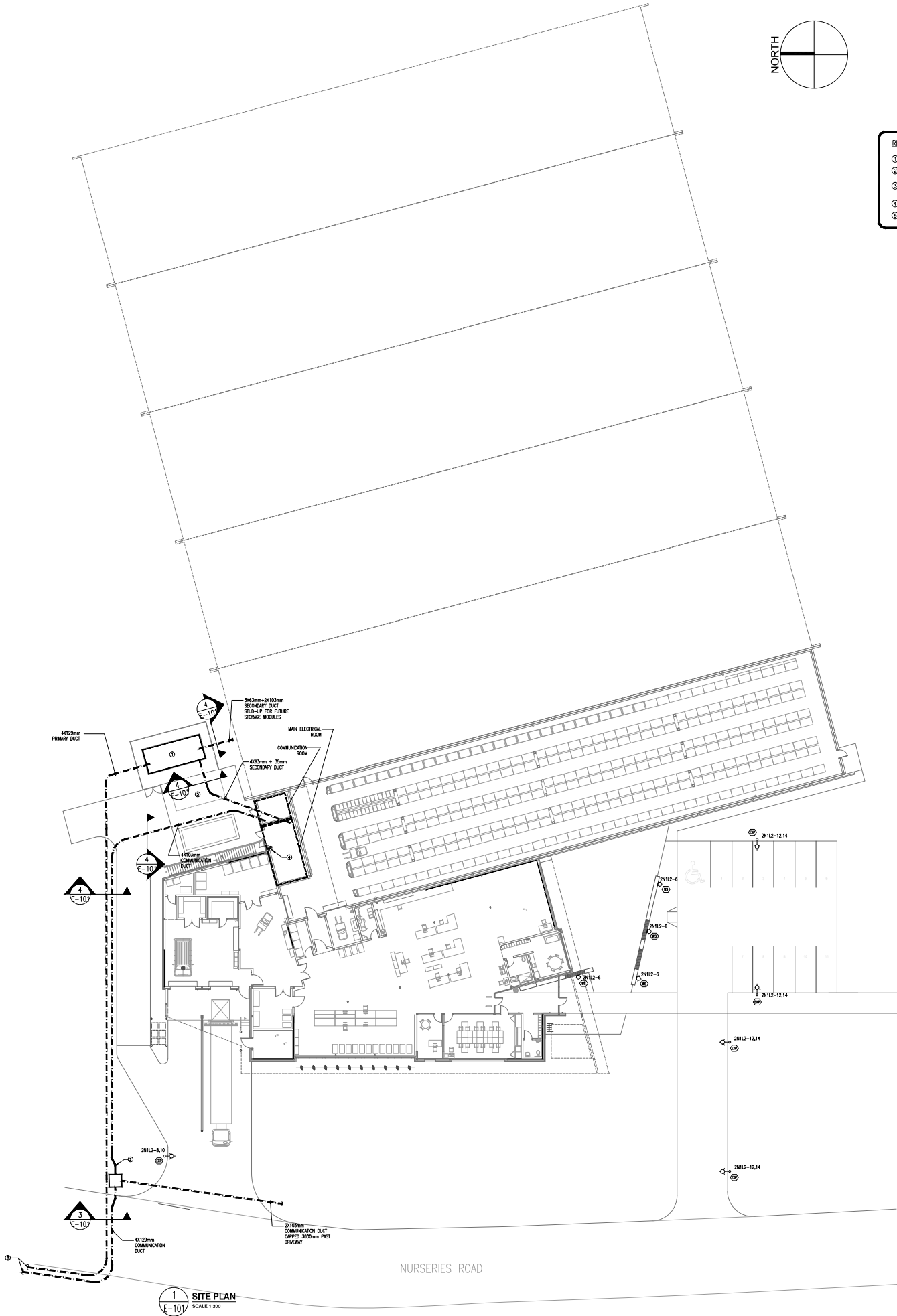
LIGHTING LEGEND	
	Main Entrance - 15 Lux
	Loading Bay - 10 Lux
	Exterior Edge - <10 Lux
	Pedestrian Pathway - 6 Lux
	Parking - 6 Lux



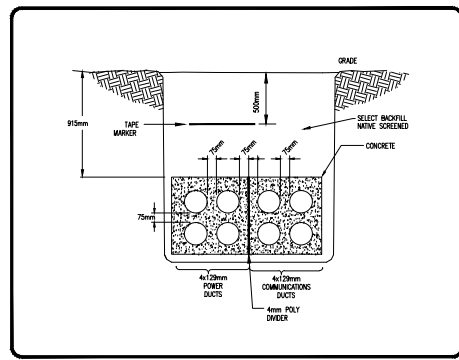
DRAWING LIST	
E-101	SITE PLAN, LEGEND & DRAWING LIST
E-201a	GROUND FLOOR PLAN - LIGHTING
E-201b	GROUND FLOOR PLAN - POWER & LOW TENSION
E-202a	SECOND FLOOR PLAN - LIGHTING
E-202b	SECOND FLOOR PLAN - POWER & LOW TENSION
E-301	ELECTRICAL SINGLE LINE & DETAILS
E-401	ELECTRICAL DETAILS 1
E-402	ELECTRICAL DETAILS 2



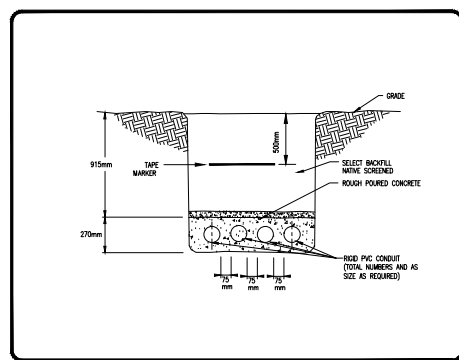
- REFERENCED NOTES:**
- EXISTING UNIT SUBSTATION RELOCATED TO THIS LOCATION.
  - 500mmx1500mm UNDERGROUND COMMUNICATION PULLBOX C/W GALVANIZED STEEL MATCH.
  - EXTEND POWER AND COMMUNICATIONS DUCTS TO USC MANHOLE D811182. COORDINATE WITH USC UTILITY AND DVA FOR EXACT DUCT ROUTING.
  - PROVIDE EXTERIOR PHOTOCELL ON ROOF FOR EXTERIOR LIGHTING.
  - LOCATION FOR PORTABLE GENERATOR.



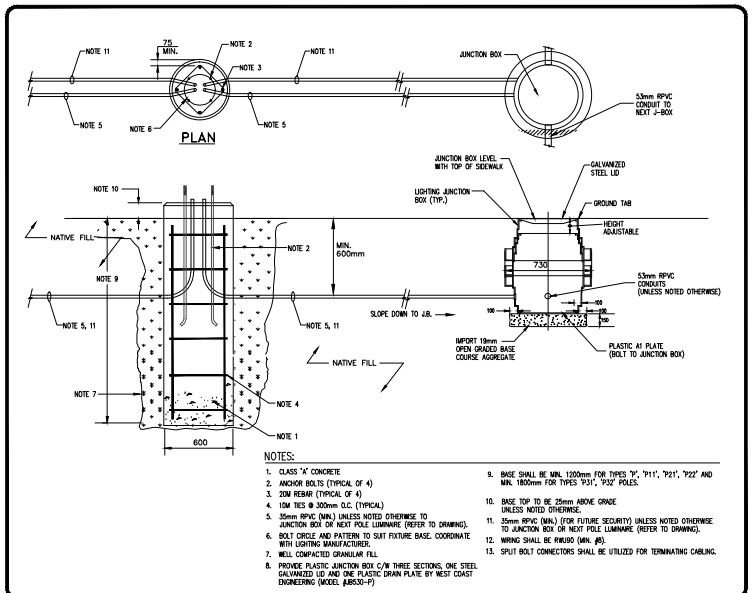
**1 SITE PLAN**  
SCALE 1:200  
E-101



**3 PRIMARY DUCT TRENCH DETAIL**  
SCALE N.T.S.  
E-101



**4 SECONDARY DUCT TRENCH DETAIL**  
SCALE N.T.S.  
E-101



**2 POLE LIGHT PEDESTAL DETAIL**  
SCALE N.T.S.  
E-101

LEGEND	
SYMBOL	DESCRIPTION
[Symbol]	FLUORESCENT LUMINAIRE - 1' x 4' (305mm x 1220mm)
[Symbol]	FLUORESCENT LUMINAIRE - 2' x 4' (610mm x 1220mm)
[Symbol]	FLUORESCENT LUMINAIRE - 2' x 2' (610mm x 610mm)
[Symbol]	FLUORESCENT LUMINAIRE - 1/2' x 4' (152mm x 1220mm)
[Symbol]	TRACK LIGHTING
[Symbol]	LUMINAIRE - CONNECTED TO EMERGENCY POWER CIRCUIT
[Symbol]	LUMINAIRE - UNWITTED
[Symbol]	WALL MOUNTED LUMINAIRE
[Symbol]	WALL MOUNTED STEP LIGHT
[Symbol]	EXT SIGN FUTURE - WALL MOUNTED
[Symbol]	EXT SIGN FUTURE - CEILING MOUNTED
[Symbol]	EMERGENCY BATTERY PACK C/W RECEPTACLE
[Symbol]	EMERGENCY LIGHTING REMOTE HEADS
[Symbol]	LIGHTING POLE C/W 2 HEADS
[Symbol]	BOLLARD
[Symbol]	LIGHTING POLE C/W 1 HEADS
[Symbol]	SINGLE POLE TOGGLE SWITCH
[Symbol]	SINGLE POLE TOGGLE SWITCH, KEY OPERATED
[Symbol]	SINGLE POLE TOGGLE SWITCH C/W PILOT LIGHT
[Symbol]	SINGLE POLE TOGGLE SWITCH, 3 WAY
[Symbol]	SINGLE POLE DIMMER SWITCH
[Symbol]	SINGLE POLE LOW VOLTAGE SWITCH
[Symbol]	SINGLE POLE SWITCH C/W MOTION DETECTOR
[Symbol]	SINGLE RECEPTACLE
[Symbol]	DUPLEX RECEPTACLE
[Symbol]	REFRIGERATOR RECEPTACLE
[Symbol]	RANGE RECEPTACLE
[Symbol]	DUPLEX RECEPTACLE SURGE SUPPRESSION
[Symbol]	DUPLEX RECEPTACLE SPLIT CIRCUIT
[Symbol]	DUPLEX RECEPTACLE GROUND
[Symbol]	DUPLEX RECEPTACLE - FLOOR MOUNTED
[Symbol]	SPECIAL PURPOSE OUTLET
[Symbol]	COMBINATION TELEPHONE & DATA OUTLET C/W 1 TELEPHONE AND 1 DATA DROP UNLESS NOTED OTHERWISE FOR EXAMPLE:
[Symbol]	2 - 2 DATA DROPS
[Symbol]	1 - 1 TELEPHONE DROP
[Symbol]	CATV OUTLET
[Symbol]	TELEPHONE OUTLET - MOUNTED IN FLOOR BOX ASSEMBLY
[Symbol]	FIRE ALARM BREAK GLASS STATION
[Symbol]	END OF LINE RESISTOR
[Symbol]	HEAT DETECTOR - RATE OF RISE AND FIXED TEMPERATURE
[Symbol]	HEAT DETECTOR - RATE OF RISE AND FIXED TEMPERATURE OVERLAP OF CEILING PLenum SPACE
[Symbol]	FIRE ALARM SONG
[Symbol]	FIRE ALARM VISUAL SIGNAL STROBE LIGHT
[Symbol]	FIRE ALARM VISUAL & AUDIO SIGNAL & STROBE LIGHT
[Symbol]	PUBLIC ADDRESS SPEAKER - WALL MOUNTED
[Symbol]	PUBLIC ADDRESS SPEAKER - CEILING MOUNTED
[Symbol]	SPEAKER VOLUME CONTROL
[Symbol]	SMOKE DETECTOR - ENDSMoke TYPE
[Symbol]	SMOKE DETECTOR C/W RELAY CONTACT
[Symbol]	MOTOR STARTER - MAGNETIC
[Symbol]	MOTOR STARTER - MANUAL
[Symbol]	MOTOR
[Symbol]	FUSED DISCONNECT SWITCH UNLESS NOTED OTHERWISE
[Symbol]	MECHANICAL EQUIPMENT IDENTIFICATION TAG
[Symbol]	JUNCTION BOX
[Symbol]	PAC POLE
[Symbol]	CLOCK
[Symbol]	LUMINAIRE IDENTIFICATION TAG - LETTER DENOTES FIGURE TYPE
[Symbol]	PHOTOCELL SENSOR (TYPE 1 OR AS INDICATED)
[Symbol]	PANELBOARD
[Symbol]	ELECTRIC RELAY PANEL
[Symbol]	TERMINAL
[Symbol]	SWITCHBOARD OR MOUNTED HEATER
[Symbol]	MAGNETIC DOOR HOLDER - WALL / FLOOR MOUNTED
[Symbol]	SPRINKLER LOW PRESSURE SWITCH
[Symbol]	SPRINKLER FLOW SWITCH
[Symbol]	SPRINKLER TAMPER SWITCH
[Symbol]	SPRINKLER ALARM VALVE
[Symbol]	INTERCOM STATION (MASTERS)
[Symbol]	INTERCOM STATION (SLAVES)
[Symbol]	INTERCOM STATION
[Symbol]	INTRUSION DETECTOR (PIR)
[Symbol]	DOOR CONTACT
[Symbol]	SECURITY REPAIR
[Symbol]	SECURITY FALL COORD SWITCH
[Symbol]	EMERGENCY FIGHT/SHOUT
[Symbol]	ALARM SIREN
[Symbol]	URINAL SOLIDNO VALVE
[Symbol]	GAS SOLIDNO VALVE
[Symbol]	WEEZER
[Symbol]	ROOF-IN ONLY
[Symbol]	CONCRETE ONLY
[Symbol]	AC INDICATES DEVICE IS ABOVE COUNTER
[Symbol]	WP INDICATES DEVICE IS WEATHER PROOF
[Symbol]	EXP INDICATES DEVICE IS EXPLOSION PROOF
[Symbol]	E EXISTING DEVICE TO REMAIN
[Symbol]	RM EXISTING DEVICE TO BE REMOVED
[Symbol]	RD EXISTING DEVICE TO BE RELOCATED
[Symbol]	HD HAND DRIVER

Revision / Issue	Date
1	2013-07-09
2	2013-07-09
3	2013-08-28
4	2013-08-28
5	2013-08-28
6	2013-09-18

**UBC Integrated Research Library**

6049 Nurseries Road  
Vancouver, BC V6T 1W5



This drawing is an instrument of service, is the property of DGBK Architects and may not be reproduced, without their permission, and unless the reproduction carries their name, all designs and other information shown on the drawing are for use in the specified project only and shall not be used otherwise without their permission in any form.

When dimensions are given, they shall govern over scaled dimensions. Contractors shall verify and be responsible for all dimensions and conditions on the job and the office shall be deemed of any variations from the dimensions and conditions shown on the drawing. Shop drawings shall be submitted to this office for review before proceeding with fabrication.

**SITE PLAN**

scale: AS NOTED  
date: SEPT. 18, 2013  
drawn: TC  
checked: VC/ATT  
project no.: 5012672  
drawing no.:

**E-101**

SEPTEMBER 12, 2013  
NOT FOR CONSTRUCTION

000001 E-101 3/1/2013 5.00 PM





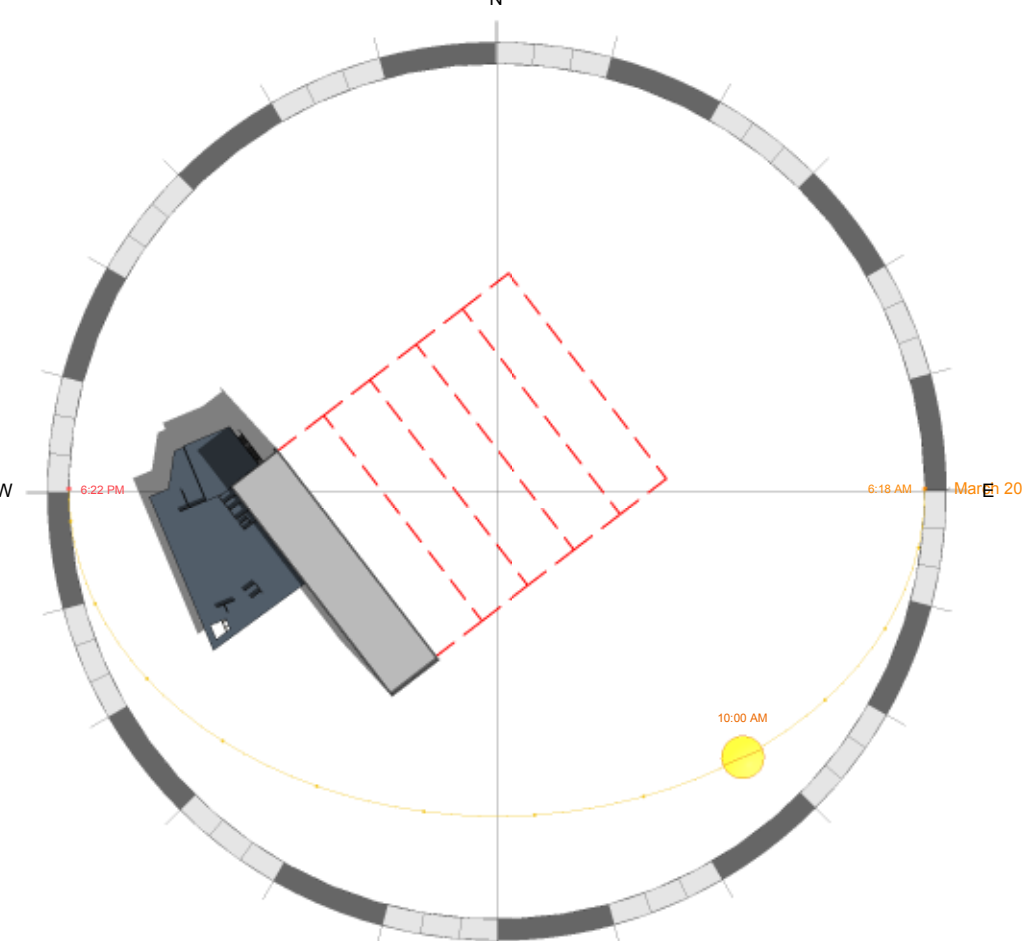




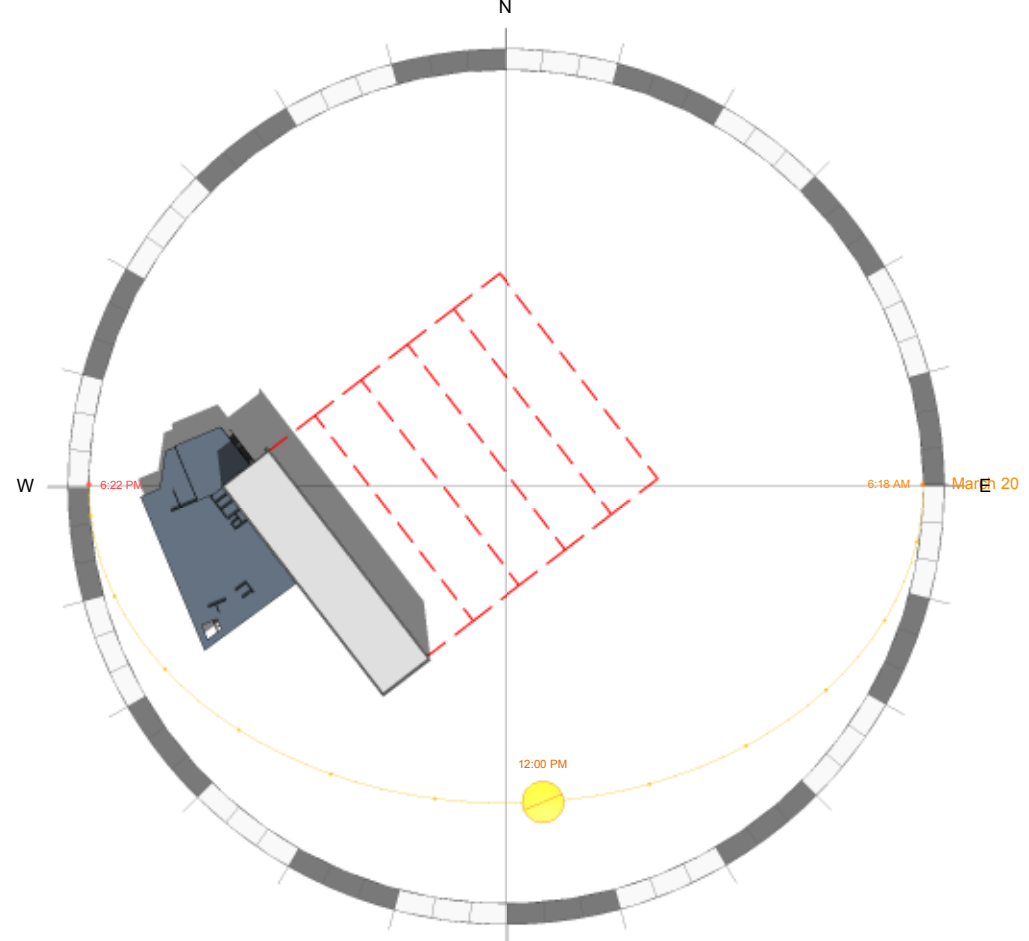




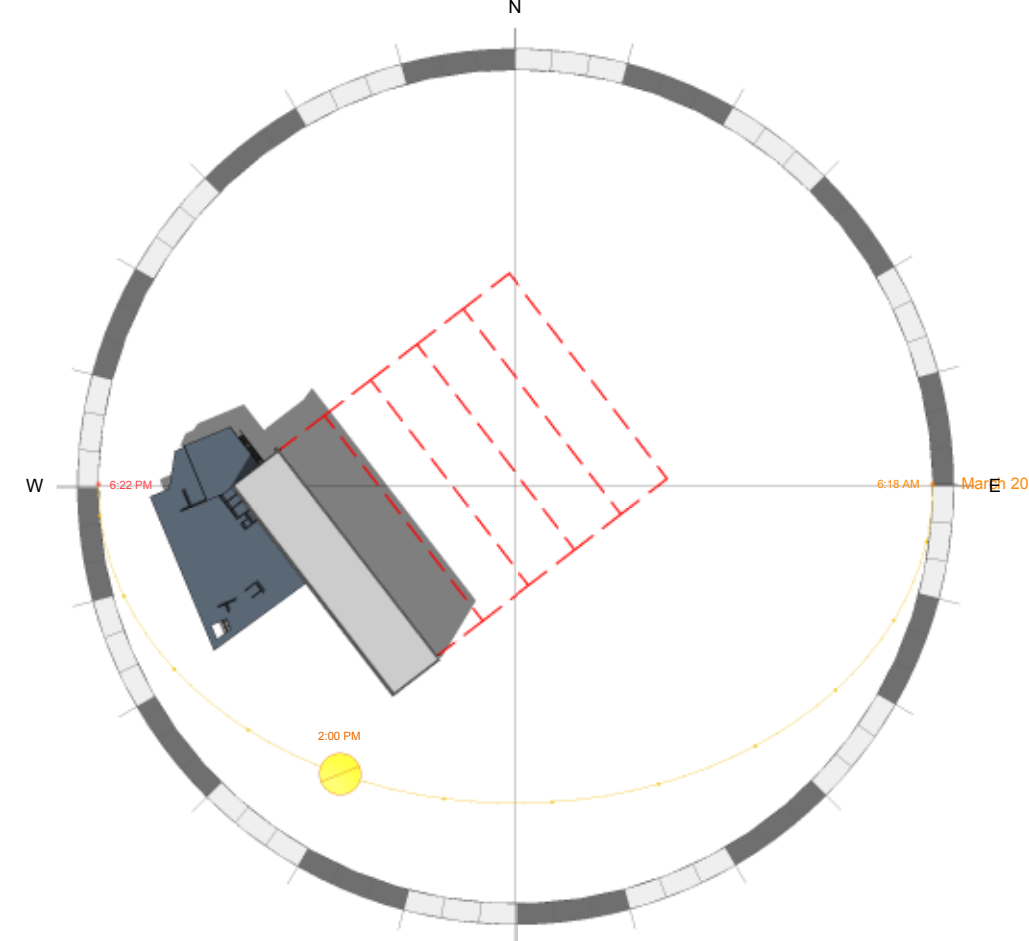




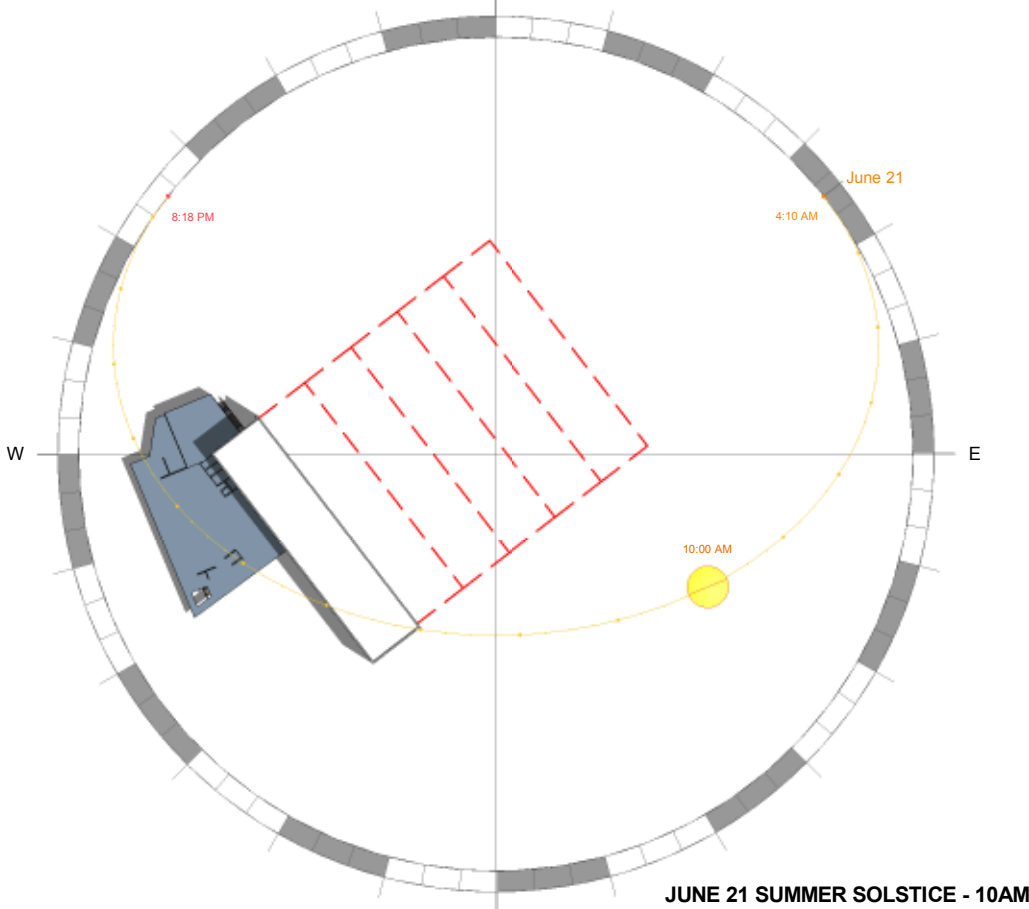
MAR 20 SPRING EQUINOX - 10AM



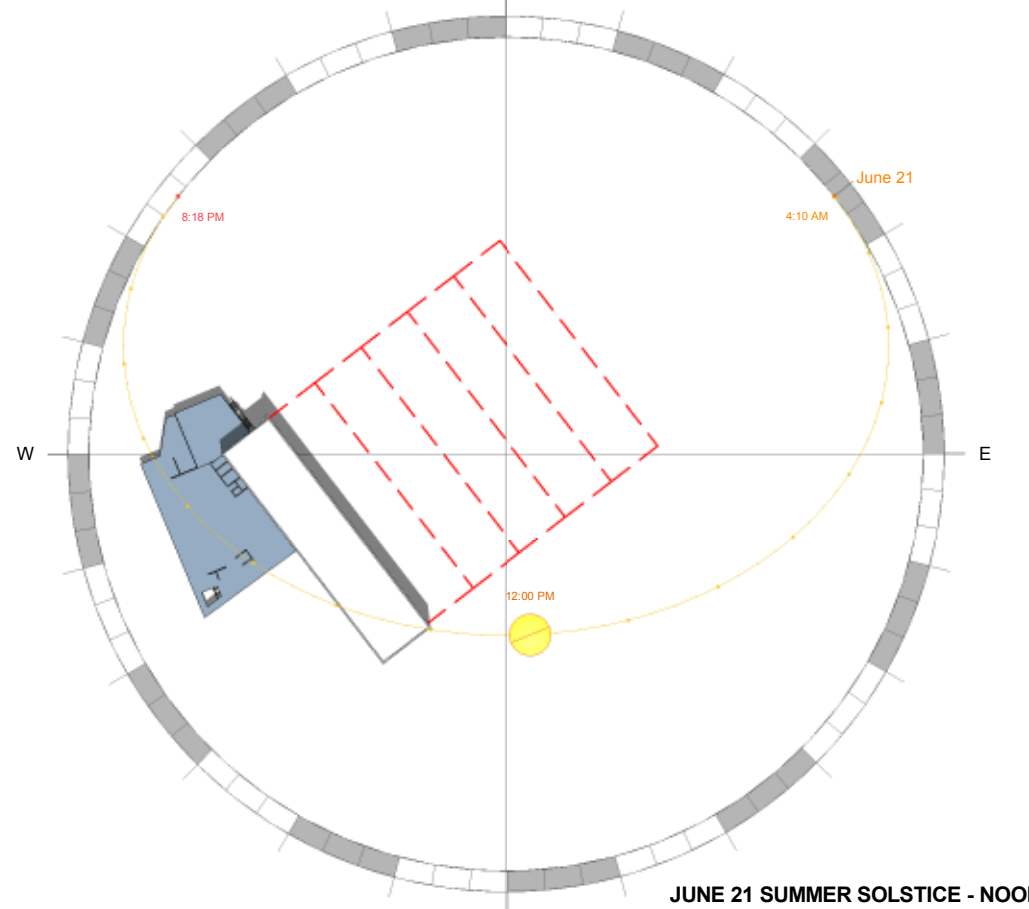
MAR 20 SPRING EQUINOX - NOON



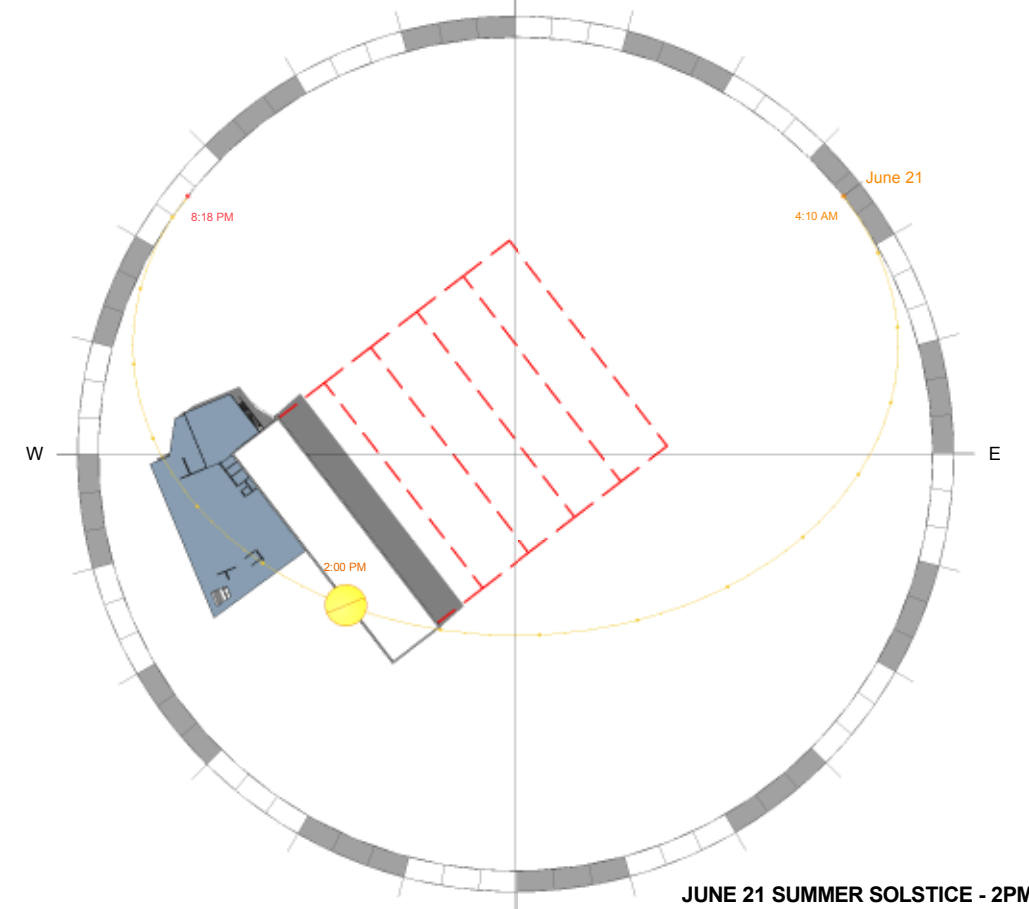
MAR 20 SPRING EQUINOX - 2PM



JUNE 21 SUMMER SOLSTICE - 10AM



JUNE 21 SUMMER SOLSTICE - NOON



JUNE 21 SUMMER SOLSTICE - 2PM

